

VTFG200-Positive Displacement Flow Meter(Gear Flow Meter)

- ▶ High pressure rating
- ▶ Applicable to various viscous media
- ▶ High repeatability and accuracy
- ▶ Pulse / analog output selectable
- ▶ Wide measuring range

VTFG200 positive displacement flow meter measures the flow on the volumetric principle, in which gearwheels is moved proportional to the flow rate. The movement of the gearwheels is measured through the enclosing housing wall by a sensor.

Immune to medium viscosity. Higher turndown ratio, accuracy, resolution and responsibility, as well as for measuring the very-low flow.

VTFG200 flow meters are bi-directional and can be used to measure the cylinder position without damaging internal parts.

Assembled with journal bearings **FOR200** can measure low or non-lubricating fluids, such as paints, glues, resin, sealant etc.

The VTFG200 series of positive displacement flow meters have 8 measuring ranges from 0.006 ... 1L/min through 4.0 ... 450L/min. Optional pickoffs for pulse output, current analog output and voltage analog output.



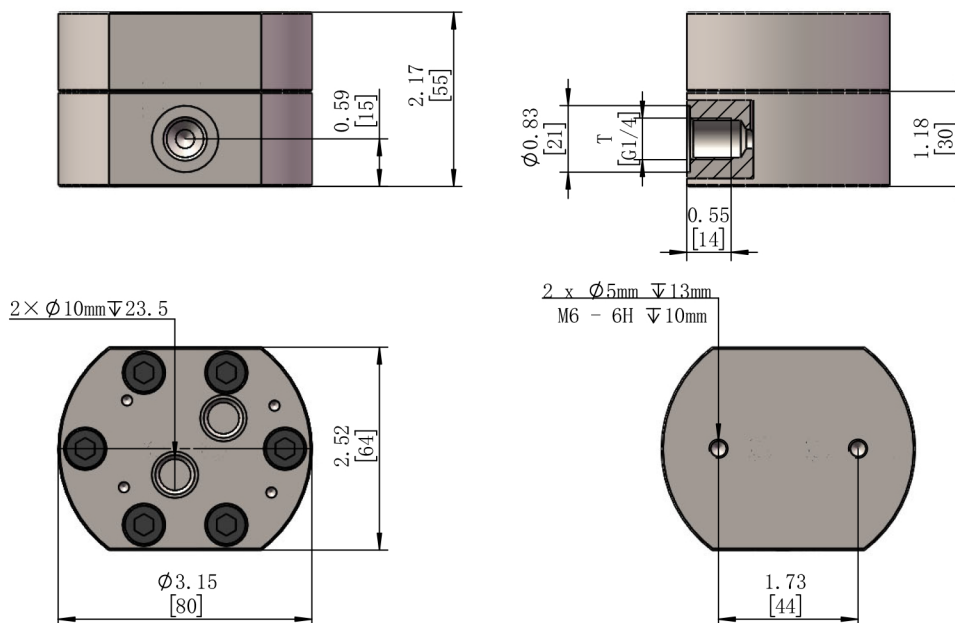
Applicable Medium	Liquids
Accuracy (at 30cst)	+0.5% of reading (turndown ratio of 1:10); +1% of reading (measuring range)
Repeatability	+0.1% of reading
Pressure Rating	420bar (stainless steel); 100bar (aluminum)
Ambient Temperature	-40...85 °C
Medium Temperature	-40...100 °C (Max. 200C for high tem perature type)
Materials	
Body	316 stainless steel or aluminum
Gear	316 stainless steel
Sealing	FPM (NBR, PTFE optional)
Bearing	Stainless steel ball bearing

Applications

- ▶ Printing ink measurement
- ▶ Resin/glue/silica gel measurement
- ▶ Hydraulic oil/lubricating oil/grease measurement
- ▶ Cooling liquid measurement
- ▶ Solvent measurement
- ▶ Fuel oil measurement
- ▶ Polyurethane measurement
- ▶ Braking fluid measurement
- ▶ Cylinder position measurement

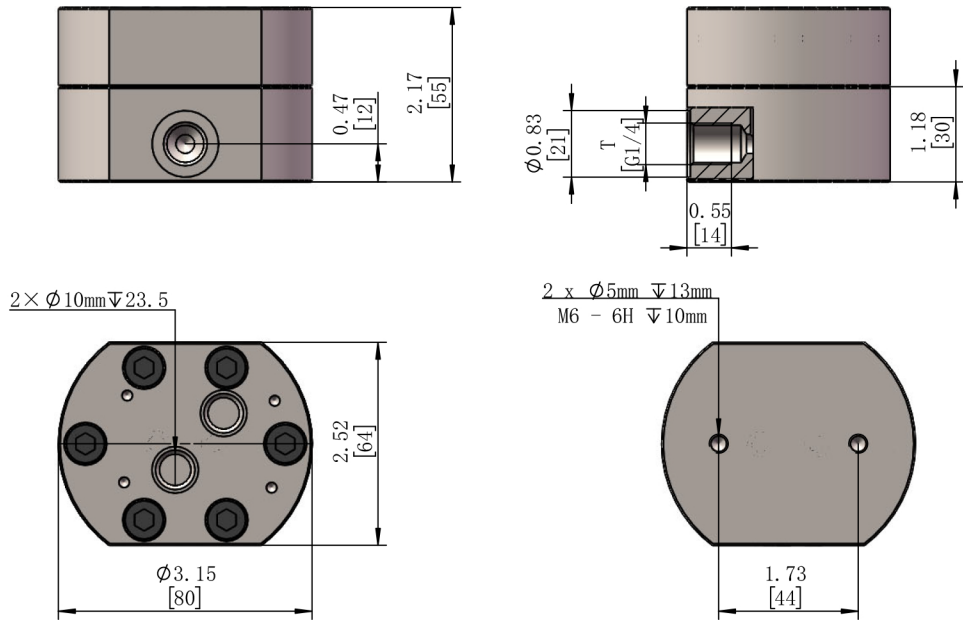
Dimensions inch[mm]

FG0002/FG1002 - 2L/Min

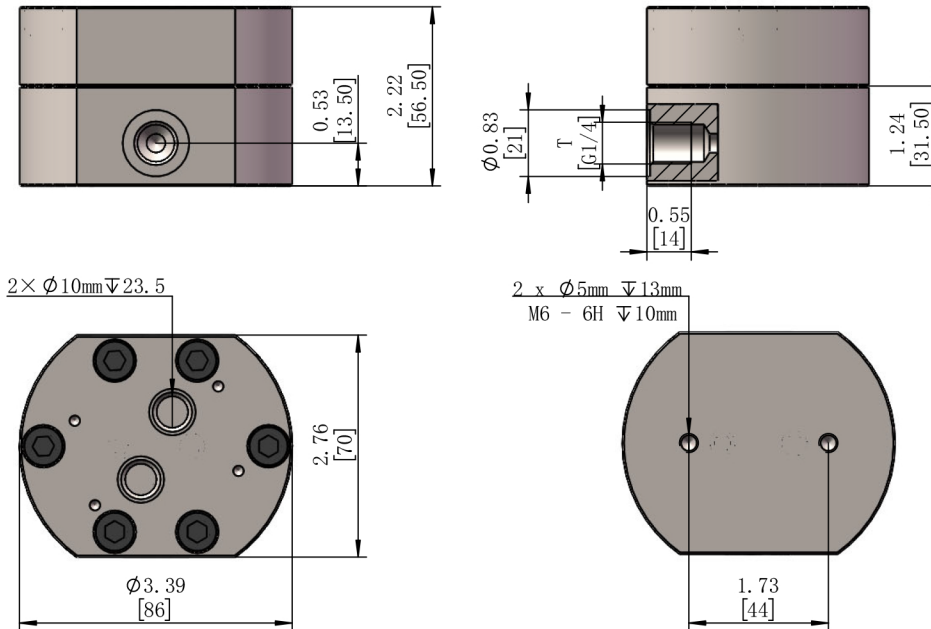


Dimensions inch[mm]

VTFG0003/FG1003 - 3L/Min



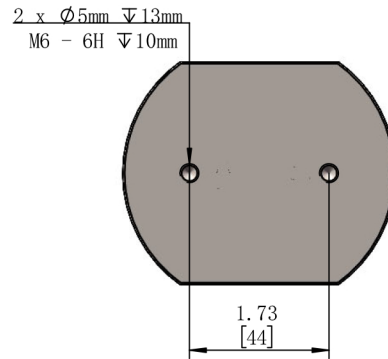
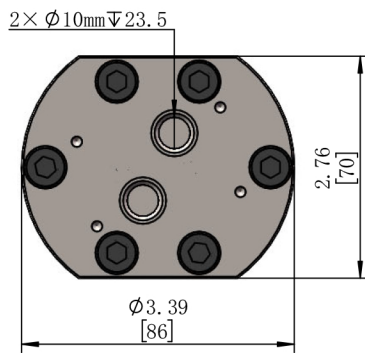
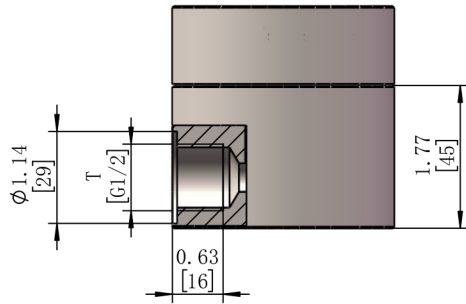
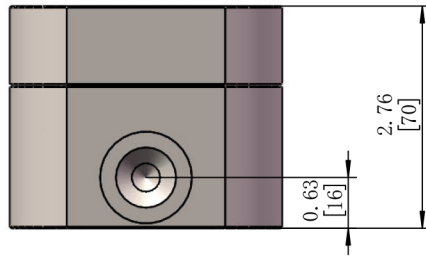
FG0008/FG1008 - 7.5L/Min



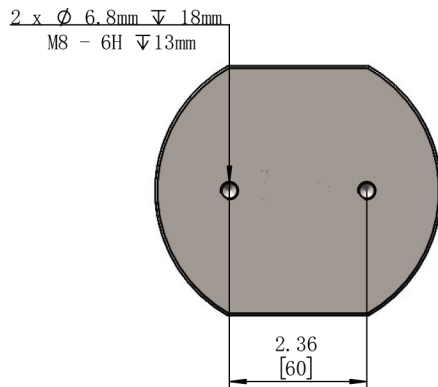
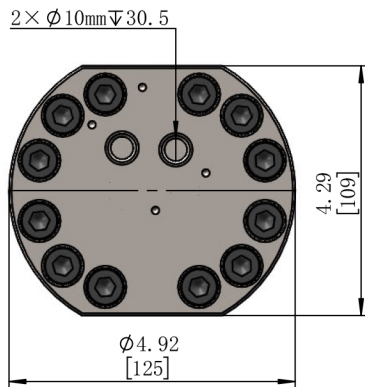
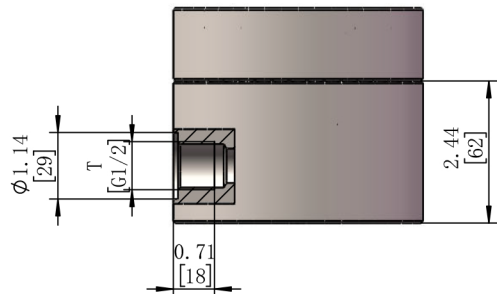
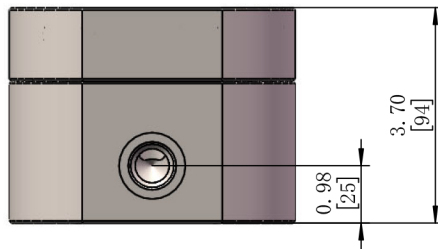
Dimensions inch[mm]

VTFG0025 FG1025 - 25L/Min

FLOW

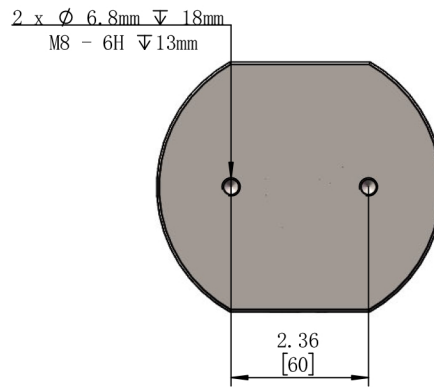
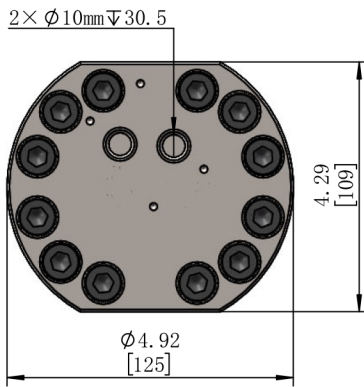
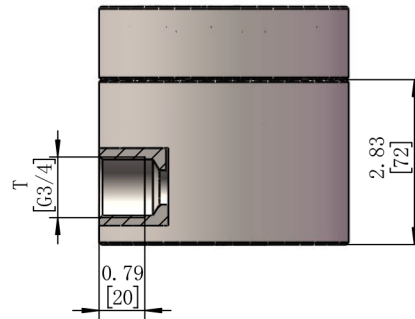
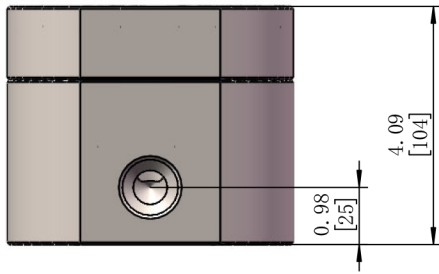


FG0040/FG1040 - 40L/Min

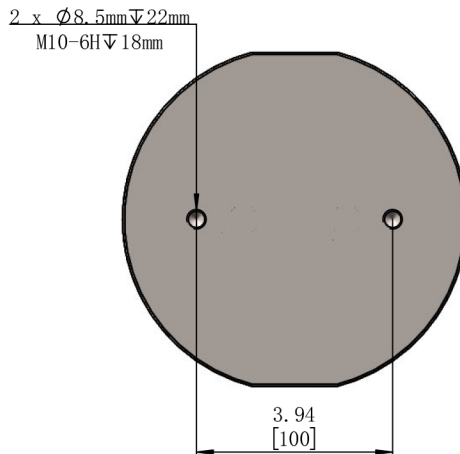
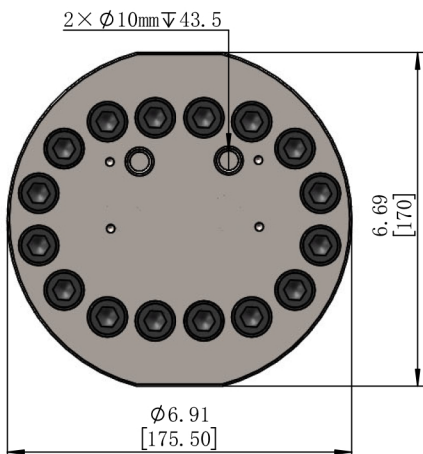
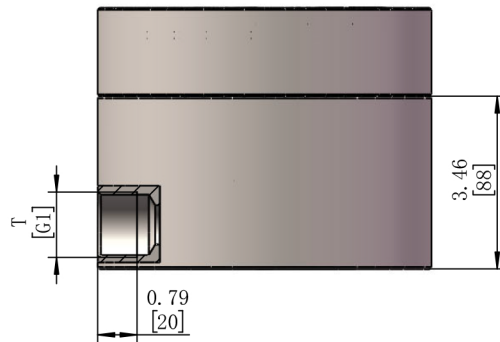
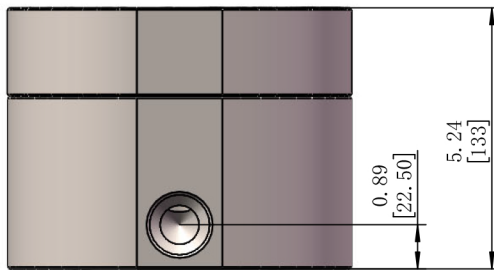


Dimensions inch[mm]

VTFG0075 FG1075 - 75L/Min



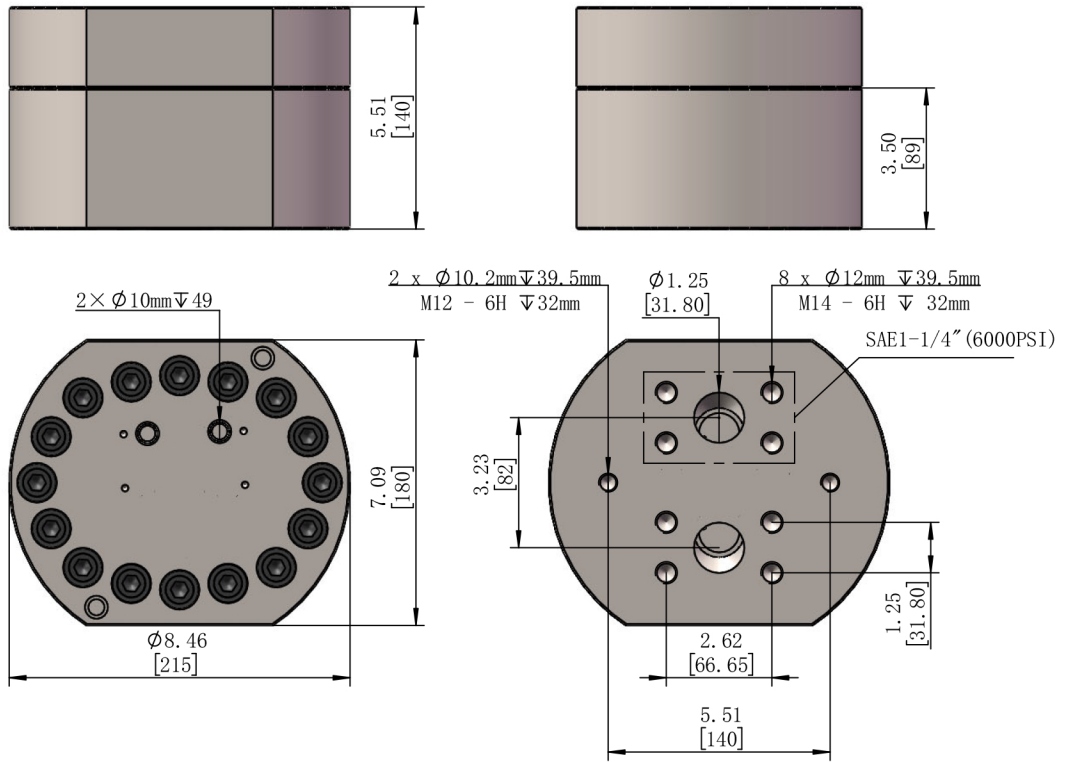
VTFG00FA/FG10FA - 150L/Min



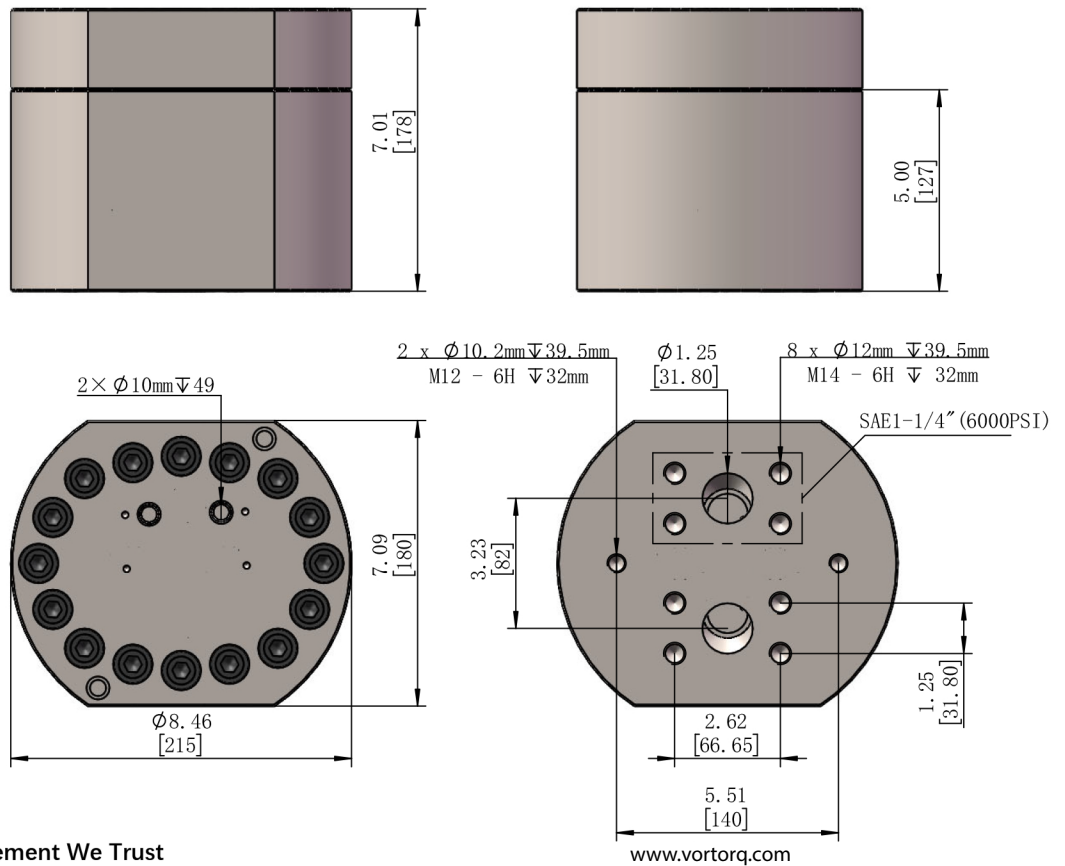
FLOW

Dimensions inch[mm]

VTFG00FF/FG10FF - 225L/Min



VTFG00UF/FG10UF - 450L/Min



Model Number

OrderNO.	Type	Material	Measuring L/Min	K Coefficient IMPULSE/L	MAX pressure Bar	Connection	Max. Filter Diameter (micron)
VTFG0002	VTF200G1/4SBBF2L	316 stainless steel	0.006—2.0	40000	690	G1/4	30
VTFG0003	VTF200G1/4SBBF3L		0.02—3.0	13500	690	G1/4	30
VTFG0008	VTF200G1/4SBBF7.5L		0.05—7.5	4200	690	G1/4	30
VTFG0025	VTF200G1/2SBBF25L		0.2—25.0	1400	690	G1/2	30
VTFG0040	VTF200G1/2SBBF40L		0.4—40.0	840	690	G1/2	30
VTFG0075	VTF200G3/4SBBF75L		0.5—75.0	450	690	G3/4	200
VTFG00FA	FGR200G1SBBF150L		1.0—150.0	190	420	G1	200
VTFG00FF	VTF200S114SBBF225L		2.0—225.0	110	420	SAE1-1/4"	200
VTFG00UF	VTF200S114SBBF450L		3.5—450.0	55	420	SAE1-1/4"	200
VTFG1002	VTF200G1/4ABBF2L		Aluminum	0.006—2.0	40000	250	G1/4
VTFG1003	VTF200G1/4ABBF3L	0.02—3.0		13500	250	G1/4	30
VTFG1008	VTF200G1/4ABBF7.5L	0.05—7.5		4200	250	G1/4	30
VTFG1025	VTF200G1/2ABBF25L	0.2—25.0		1400	250	G1/2	30
VTFG1040	VTF200G1/2ABBF40L	0.4—40.0		840	250	G1/2	30
VTFG1075	VTF200G3/4ABBF75L	0.5—75.0		450	250	G3/4	200
VTFG10FA	VTF200G1ABBF150L	1.0—150.0		190	150	G1	200
VTFG10FF	VTF200S114ABBF225L	2.0—225.0		110	150	SAE1-1/4"	200
VTFG10UF	VTF200S114ABBF450L	3.5—450.0		55	150	SAE1-1/4"	200

Optional sensor type

