

## Series VTP560 Sputtered Thin Film Pressure Transducer

### Sputtering Thin Film Pressure Sensor

#### Features

- Heavy Industrial
- Integral Pressure Cavity, No leakage
- Reverse Polarity Protection on Input
- Short Circuit Protection on Output
- Up to  $\pm 0.25\%$  Accuracy
- Up to  $\pm 1\%$  Total Error Band
- Compact Outline
- $-40^{\circ}\text{C}$  to  $+125^{\circ}\text{C}$  Operating Temperature
- $-20^{\circ}\text{C}$  to  $80^{\circ}\text{C}$  Compensated Temperature

#### Specification

- High Accuracy
- Compact
- Variety of Pressure Ports and Electrical Configurations
- Optional damper
- CE Compliant and Weatherproof
- Gage, Compound
- High Accuracy

#### Applications

- Industrial Process Control and Monitoring
- Advanced HVAC Systems
- Refrigeration Systems
- Automotive Test Stands
- Off-Road Vehicles
- Pumps and Compressors
- Hydraulic/Pneumatic Systems
- Agriculture Equipment
- Energy Generation and Management

#### Accuracy

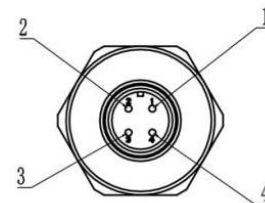
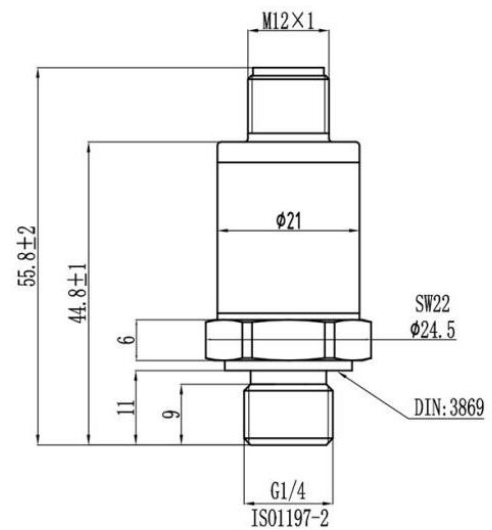
$\pm 0,25\%$  FS,  $\pm 0,5\%$  FS

#### Total error band

$\pm 1.0\%$  FS @  $-20\dots 80^{\circ}\text{C}$

#### Pressure ranges

0...7 to 0...2500 bar



# Series VTP560 Pressure Transducer

## Standard pressure ranges

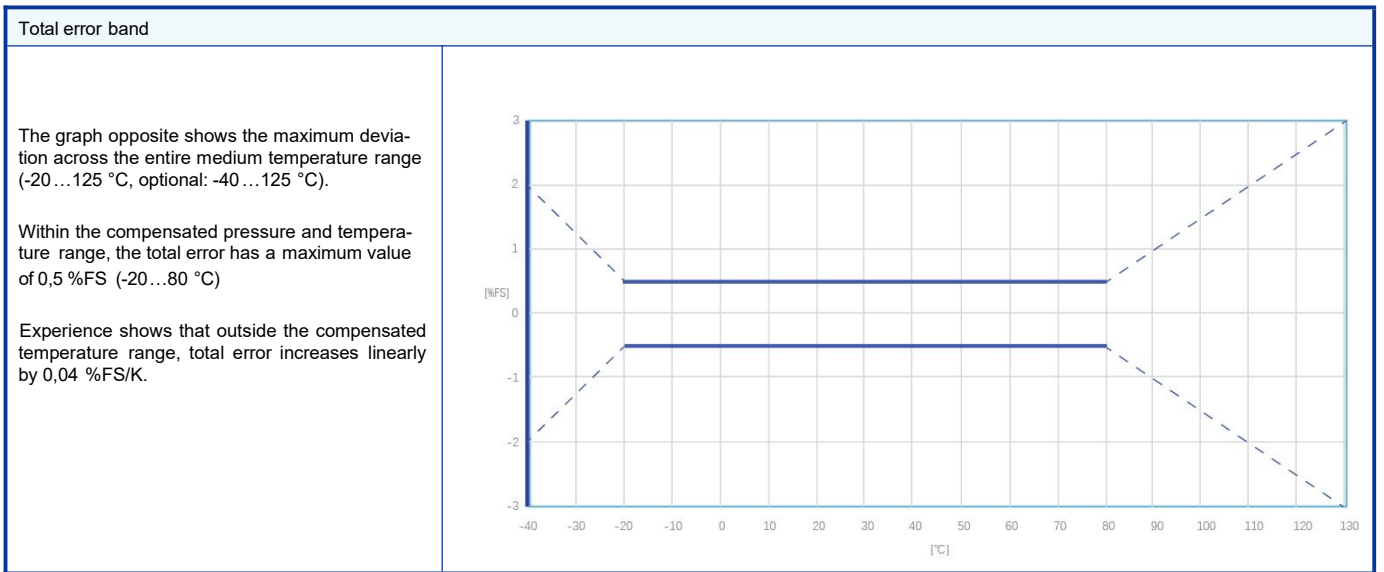
### Standard Ranges

Measuring Method	Range (psi)	Range (Bar)	Gage	Sealed	Absolute	Compound	
Metal Thin-film pressure sensor or Micro-fused pressure sensor (Relative pressure)	0 to 100	0 to 7	•				
	0 to 150	0 to 10	•				
	0 to 250	0 to 16	•			•	
	0 to 500	0 to 35	•			•	
	0 to 1000	0 to 70	•			•	
	0 to 1500	0 to 100	•			•	
	0 to 2250	0 to 150	•			•	
	0 to 3000	0 to 200	•			•	
	0 to 5000	0 to 350	•			•	
	0 to 7500	0 to 500	•			•	
	0 to 10000	0 to 700	•			•	
	<b>0 to 15000</b>	<b>0 to 1000</b>	•			•	•S
	<b>0 to 22000</b>	<b>0 to 1500</b>	•			•	•S
	<b>0 to 35000</b>	<b>0 to 2500</b>	•			•	•S
	<b>0 to 72500</b>	<b>0 to 5000</b>	•			•	•S
	<b>Consult manufacture to custom order,•S</b>						

## Performance

### Pressure

PARAMETERS	MIN	TYP	MAX	UNITS	NOTES
Accuracy (Combined Non-linearity, hysteresis, and repeatability)	-0.5	±0.5	0.5	%F.S. BFSL	@ 25°C
	-0.5	±0.25	0.5		
Zero Error	-0.2	±0.5	0.2	%F.S. BFSL	@25°C
Full Scale Error	-0.3	±0.5	0.3	%F.S. BFSL	@25°C
Isolation, Body to any Lead	100			MΩ	@250VDC
Dielectric Strength			2	mA	@500VAC, 1min
Pressure Cycles	1X10 <sup>7</sup>			0-FS Cycles	
Proof Pressure	3X (5~25bar)	2X (40~600bar)	1.5X (700~2000bar)		≤3000bar 2500bar
Burst Pressure	8X	10X	≤4000bar		≤4000bar
Long Term Stability (1 year)	-0.3	0.5	0.5	%F.S.	
Total Error Band	-2	±1	+2	%F.S.	Over compensated temperature range
Compensated Temperature	-20		80	°C	
Operating Temperature	-40		+125	°C	Except cable 105°C MAX
Storage Temperature	-40		+125	°C	Except cable 105°C MAX
Load Resistance (RL)	RL ≥ 2k			Ω	Voltage Output
Load Resistance (RL)	RL ≤ 50 × (Vcc - 8)			Ω	Current Output
Current Consumption			2	mA	Voltage Output
Rise Time (10% to 90%)	<2ms (Voltage Output); <3ms (Current Output); Without Snubber				
Pressure Port Material	17-4PH + SST304				
Shock	100g, 6ms (IEC60068-2-27)				
Vibration	20g, 20Hz ~ 2000H (IEC60068-2-6)				



Range	Overload Pressure	Burst Pressure	Range	Overload Pressure	Burst Pressure
0...0.5 MPa	1.5 X	20%	0..60 MPa	3 X	5 X
0...1.0 MPa	1.5 X	20%	0...70 MPa	1.5X	5 X
0...1.6 MPa	1.5 X	15%	0...100 MPa	1.5 X	≤400MPa
0...2.5 MPa	1.5 X	15%	0...120 MPa	1.5 X	≤400MPa
0...4 MPa	2 X	10 X	0...140 MPa	1.5 X	≤400MPa
0...6 MPa	2 X	10 X	0...160 MPa	1.5 X	≤400MPa
0...10 MPa	2 X	10 X	0...180 MPa	1.5X	≤400MPa
0...16 MPa	3 X	5 X	0...200 MPa	1.5 X	≤400MPa
0...25 MPa	3 X	5 X	0...250 MPa	≤300MPa	≤400MPa
0...40MPa	3X	5 X			

## Series VTP560 – Specifications

CODE	OUTPUT SIGNAL	SUPPLYVOLTAGE
1	0.5-4.5V	5±0.25V
	Ratiometric	Protected to 16V
2	1-5V	8-36V
3	4-20mA	9-36V
4	0-5V	8-36V
5	0-10V	13-36V
6	1-6V	8-36V
7	0.5-4.5V	7.5-36V

CODE	CONNECTION TYPE	DIM C (MAX)
1	Cable	1.97 [50.0]
2	Packard A	2.10 [53.5]
3	Packard B	2.10 [53.5]
4	M12	1.71 [43.5]
5	FORMA	1.93 [49.0]
6	FORM C	1.97 [50.0]
7	AMP	2.52 [64.0]

CODE	PRESSURE PORT TYPE		
	PORT	DIMA	DIM B
1	G1/4 JIS B2351	0.472[12.00]	0.3 [8.0]
2	M20x1.5 mm ISO 6149-2	0.661[16.8]	0.3[8.0]
3	1/4-18 NPT	0.600[15.24]	0.3 [8.0]
4	7/16-20UNFFEMALE SAE J513 STRAIGHT THREAD WITH INTEGRAL VALVE DEPRESSOR	0.687[17.5]	0.3 [8.0]
5	M14x1.5 mm ISO 6149-2	0.433[11.0]	0.3 [8.0]
6	1/8-27 NPT	0.390 [9.91]	0.3[8.0]
7	M12x1.5 mm ISO 6149-2	0.433[11.0]	0.3[8.0]
8	M10x1.0 mm ISO 6149-2	0.374 [9.5]	0.3[8.0]
9	G1/4 DIN 3852 FORME GASKETDIN3869-14 NBR	0.512[13.00]	0.3[8.0]

The following wiring definition is commonly used in Mainland China and will need to be determined individually with the European, the UK and the US customers.

CURRENT OUTPUT WIRING					
CONNECTION	+SUPPLY	-SUPPLY	NC. PINS		P REF VENT
Packard, A	A	B	C		Hole Through Connector
Packard, B	B	A	C		
FORM A	1	2	3,4		
M12	1	2	3,4		
CABLE	RED	BLK			
Pipe In Cable					
VOLTAGE OUTPUT WIRING					
CONNECTION	+SUPPLY	+OUTPOT	COMMON	NC. PINS	P REF VENT
Packard, A	A	C	B	4	Hole Through Connector
Packard, B	B	C	A		
FORM A	1	3	2		
M12	1	3	2		
CABLE	RED	WHT	BLK		
Pipe In Cable					

**Compensated Temperature:**

This is the temperature range within which the product will produce an output proportional to pressure, while remaining within the specified performance limits.

**Operating Temperature:**

This is the temperature range within which the product will produce an output proportional to pressure, but it may not remain within the specified performance limits.

**Storage Temperature:**

This is the temperature range within which the product can be safely stored without pressure applied or power input, while still maintaining its rated performance. Exposure to temperatures beyond this range may cause permanent damage to the product.

All configurations are designed with protection against reverse supply voltage and output short circuits.

**CE Compliance (just for reference)**

EN 55022 Emissions Class A & B  
 IEC 61000-4-2 Electrostatic Discharge Immunity (8kV contact/15kV air)  
 IEC 61000-4-3 Radiated, Radio-Frequency Electromagnetic Field Immunity (10V/m, 80M-1GHz)  
 IEC 61000-4-4 Electrical Fast Transient Immunity (1kV)  
 IEC 61000-4-5 Surge Immunity (V+ to V-: ±2KV/42Ω; L to Case: ±1KV/12Ω; V- to V0: ±1KV/42Ω)  
 IEC 61000-4-6 Immunity to Conducted Disturbances Induced by Radio Frequency Fields (150K~80MHz, 10V level for voltage output models, 3V level for current output model)  
 IEC 61000-4-9 Pulse Magnetic Field Immunity (100A/m peak)  
 For all CE compliance tests, max allowed output deviation ±1.5 %F.S. (Just Factory Testing)

**Weather-Proof Rating**

Connection	P Code
Packard A / B	IP66
Cable	IP67
M12	IP67
Form A	IP65
Form C	IP66
AMP	IP66

**Mechanical data**

Materials in contact with media

Pressure connection	Stainless steel 17-4 PH
Pressure transducer diaphragm	Stainless steel SUS 316L
Pressure transducer seal (internal)	None
Pressure connection seal (external)	None, metallicly sealed

**Electrical connections**

Round plug	2-wire		3-wire		Valve plug	2-wire		3-wire	
M12 × 1	4...20 mA		0...10 V		Form A	4...20 mA		0...10 V	
	2	n.c.	2	n.c.		2	OUT/GND	2	+OUT
	3	OUT/GND	3	+OUT		3	+Vs	3	+Vs
	4	n.c.	4	GND		↓	Case	↓	Case

**Series VTP540 – Thread Dimensions and options**

**Available pressure connections**

For reference only

G1/4 "Mano" with centring pin	1/4-18NPT male	7/16-20UNF 2B female
DIN EN837	ASME/ANSI B 120.1	Autoclave SF250CX20
G1/4 "Mano" with centring pin	1/4-18NPT male	7/16-20UNF 2B female
DIN EN837	ASME/ANSI B 120.1	Autoclave SF250CX20

## Series VTP560 – Ordering Information

Example	VTP560341015500PG	VTTP560	3	4	1	0	1	5	500P	G
<b>Model Code</b> VTTP560 Pressure Transducer										
<b>Output</b>	1	0.5-4.5V RATIO METRIC								
	2	1-5V								
	3	4-20mA								
	4	0-5V								
	5	0-10V								
	6	1-6V								
	7	0.5-4.5V								
	x	Customization								
<b>Connection</b>	1	Cable								
	2	Packard A								
	3	Packard B								
	4	M12								
	5	FORM A								
	6	FORM C								
	7	AMP								
	8	Customization								
<b>Port Material</b>	1	304Screw+ 17-4 Diaphragm								
	2	17-4 Integral Screw								
	X	Customization								
<b>Snubber</b>	0	No Snubber								
	1	With Snubber								
<b>Label</b>	0	No Label (OEM)								
	1	AdhesiveLabel								
	2	Laser Marking								
<b>Pressure Port</b>	1	G1/4 JIS B2351								
	2	M20 x 1.5								
	3	1/4-18 NPT								
	4	7/16-20UNF FEMALE SAE								
	5	M14 x 1.5								
	6	1/8-27 NPT								
	7	M12 x 1.5								
	8	M10 x 1.0								
	9	G1/4 DIN 3852								
	A	G3/8 JIS B2351								
	X	Customer Specia								
<b>Pressure Range</b>	B	Bar								
	M	Mpa								
	P	PSI								
	K	Kpa								
<b>Pressure Type</b>	G	Gauge								
	S	Sealed (>500PSI)								
	C	Compound								