

**COMPACT TEMPERATURE TRANSMITTER**

**TRA100 – Compact Temperature Transmitter**

- ▶ Low cost
- ▶ Stainless steel housing
- ▶ Compact design
- ▶ Outputs programmable
- ▶ Process connections selectable
- ▶ Measuring range: -50°C...50°C and 0°C...200°C

Compact temperature transmitter TRA100 equips with PT1000 or PT100 for temperature measuring. Output is processed to standard electrical signal. Metal housing; 4...20mA output; selectable process connection.

**Specifications**

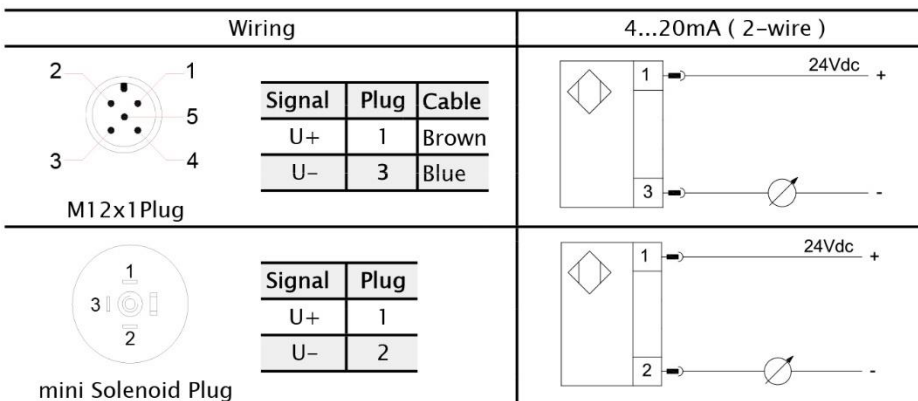
Power Supply	10...30Vdc
Current Consumption	Same current output ( 2-wire 4...20mA)
2-wire Current Output	
Output	2-wire 4...20mA
Load RA(Ω)	$RA \leq (U_s - 10)V / 0.02A$
Linearity	$\leq \pm 0.5\%$ of F.S.
Sensor	PT1000 Class A / PT100
Accuracy	$\leq \pm 0.5\%$ of F.S.
Stability(Drift/Year)	$\leq \pm 0.25\%$ of F.S.
Temperature	
Medium(Measuring Range)	-50...50°C / 0...100°C / 0...150°C / 0...200°C
Ambient	-20...+85°C
Pressure Rating	200bar
Material	
Housing	304 stainless steel
Wetted Parts	316 stainless steel
Protection Class	IP65(solenoid plug); IP67(M12x1 plug)
Electrical Connection	M12x1 plug; solenoid plug



**Applications**

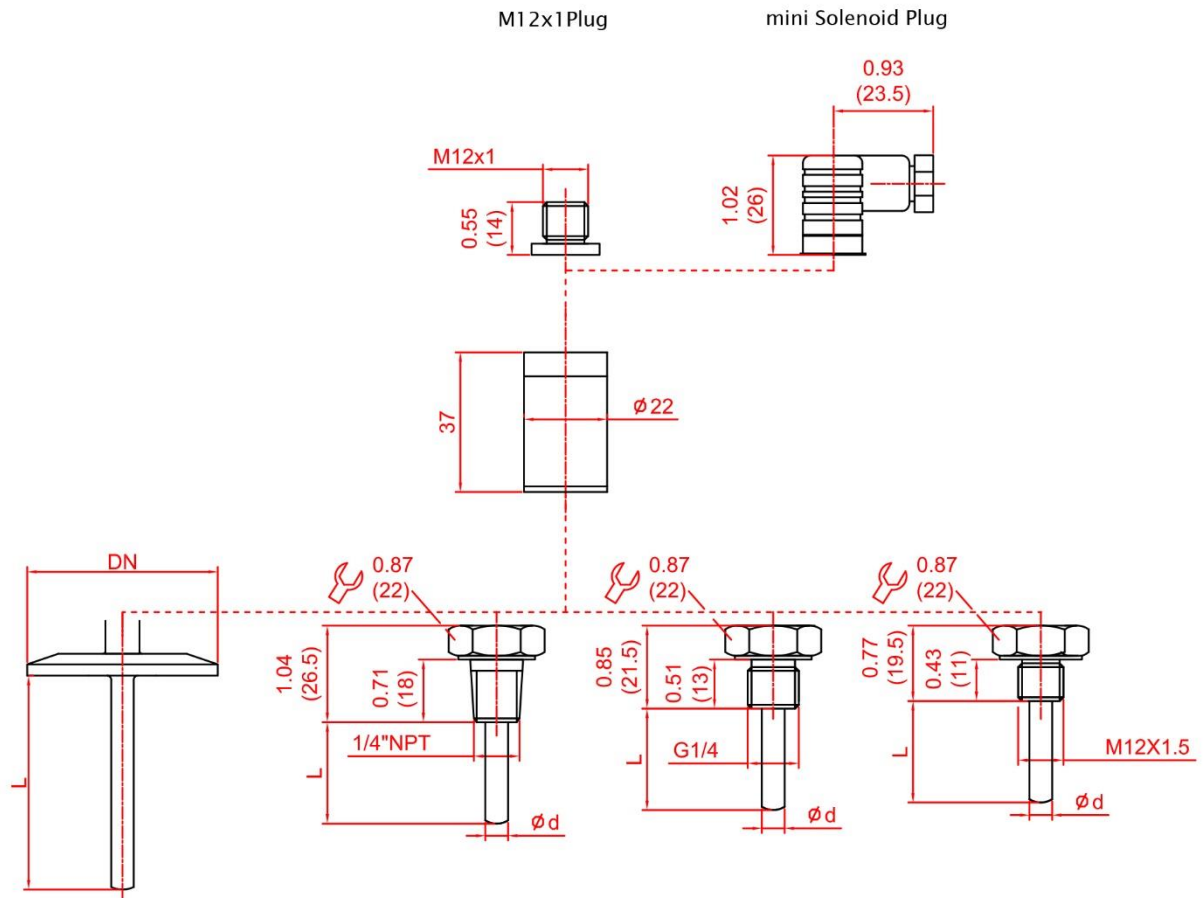
- ▶ Heating and cooling circuits
- ▶ Hydraulics and pneumatics
- ▶ Air condition technology
- ▶ Machinery manufacturing
- ▶ Construction automation
- ▶ Engineering

**Wiring**

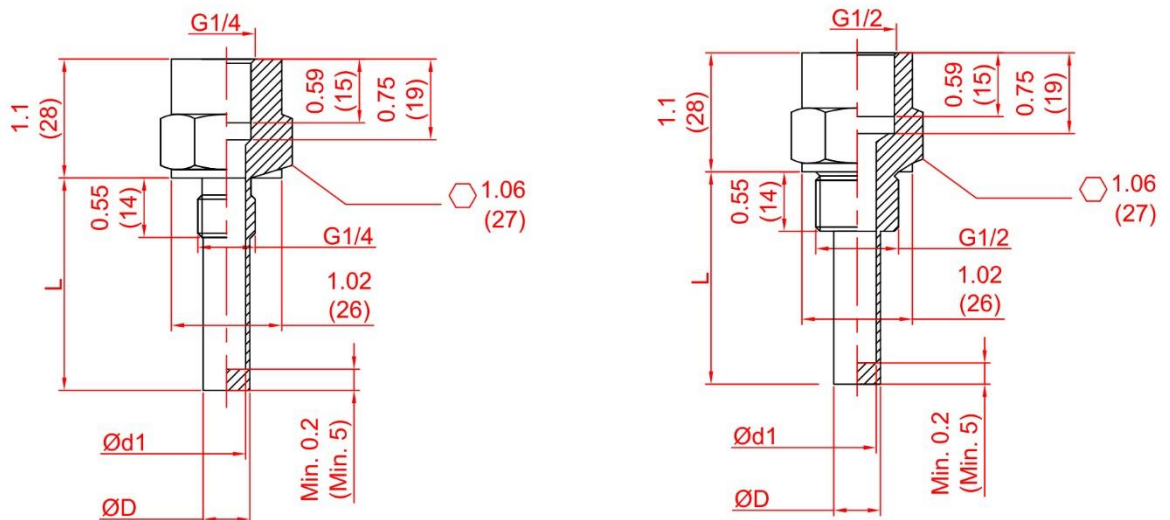


**COMPACT TEMPERATURE TRANSMITTER**

Dimensions in inches (mm)



Screw-in thermowell dimensions



d	0.24 (6)	0.31 (8)
d1	0.28 (7)	0.35 (9)
D	0.35 (9)	0.43 (11)

Note: L – customized; d – probe diameter

## COMPACT TEMPERATURE TRANSMITTER

### Order Code

TRA :	Temperature transmitter
100 :	Series# - compact
F :	Sanitary model
- :	Standard model
Measuring range :	C-50-50= -50...50°C
	C0-100= 0...100°C
	C0-150= 0...150°C
	C0-200= 0...200°C (with gooseneck tube)
<b>Note:</b> Use FAA-BBBB for Fahrenheit, in which AA, BBBB are lower and upper limit respectively. (measuring range customizable)	

TRA	100/	F	C0-200/	02/	42	G12M	S	025	D06
-----	------	---	---------	-----	----	------	---	-----	-----

02 : 2-wire

42 : 4...20mA

#### Process connection

T : DN25 Tri-clamp connection (only for the sanitary)

G14M : G1/4 male thread

G12M : G1/2 male thread

N14M : 1/4"NPT male thread

S : M12X1 5-pin plug

M : mini solenoid plug

#### Probe length L

025=25mm (L≤500mm)

1"=1inch (L≤20 inches)

#### Probe diameter d

D04=4mm

D06=6mm

D08=8mm

### Special Order on Request

- ▶ Temperature measuring range
- ▶ Process connection
- ▶ Electrical connection
- ▶ For working condition with high pressure please use the probe diameter D06.